

JA-111N Bus signal output module PG

The JA-111N is a component of the **JABLOTRON 100** system. It provides an output relay switch. It can be used for switching a door lock, blocking, signalling etc. The relay can be controlled with a programmable control panel (PG) output or according to the status of a section (armed = relay on) or when there is an alarm in a chosen section (alarm = relay on). The device should be installed by a trained technician with a valid certificate issued by an authorized distributor.

Installation

The module can easily be installed into the JA-190PL mounting box.

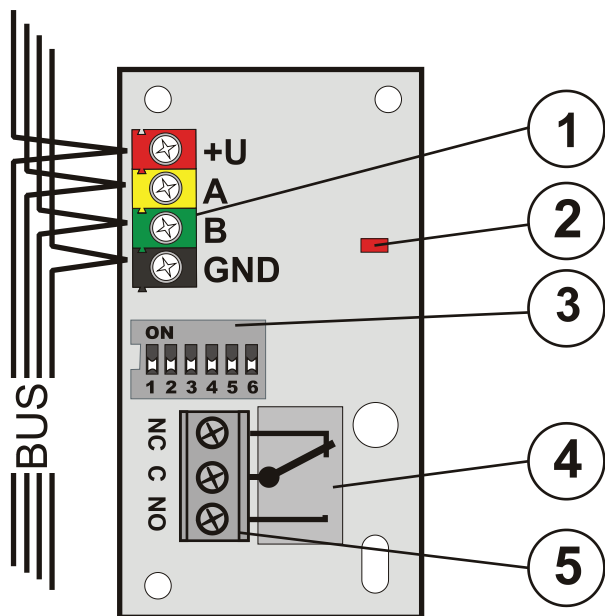


Figure: 1 – digital bus terminals; 2 – red relay switching indicator, 3 configuration switch, 4 – output relay, 5 – relay terminals

- Use the switch (3) to set the required number of the PG output or the number of the section to which the relay should react (see tables).
- Connect bus wires to the terminals (1).

When connecting the module to the system digital bus, always switch the power off.



If the module is installed outside the protected area, the JA-110T bus insulator should be used for the external section of the wiring.

The output contact is not protected against overload

- Switch on the system and test its functioning.
- Check the supply voltage at the bus terminals (red, black) when the relay is activated. The voltage must be at least 9V.
- Connect the controlled device to the relay output terminals (5).

Notes:

- The module does not occupy any position in the control panel (it is not enrolled into the system).
- If you connect multiple modules with identical settings to the bus, the relays will have the same function.
- The number of modules is only limited by the power consumption from the digital bus.
- The setting of individual programmable outputs is done in the PG outputs window in the F-Link program. A detailed description of the setting is available in the control panel installation manual.
- When the output is set according to the SECTION SET table the relay is on if the section is fully armed.
- When the output is set according to the SECTION ALARM table the relay is on if there is external or internal warning (EW or IW).

ON 1 2 3 4 5 6	PG 1	ON 1 2 3 4 5 6	PG 9	ON 1 2 3 4 5 6	PG 17	ON 1 2 3 4 5 6	PG 25
ON 1 2 3 4 5 6	PG 2	ON 1 2 3 4 5 6	PG 10	ON 1 2 3 4 5 6	PG 18	ON 1 2 3 4 5 6	PG 26
ON 1 2 3 4 5 6	PG 3	ON 1 2 3 4 5 6	PG 11	ON 1 2 3 4 5 6	PG 19	ON 1 2 3 4 5 6	PG 27
ON 1 2 3 4 5 6	PG 4	ON 1 2 3 4 5 6	PG 12	ON 1 2 3 4 5 6	PG 20	ON 1 2 3 4 5 6	PG 28
ON 1 2 3 4 5 6	PG 5	ON 1 2 3 4 5 6	PG 13	ON 1 2 3 4 5 6	PG 21	ON 1 2 3 4 5 6	PG 29
ON 1 2 3 4 5 6	PG 6	ON 1 2 3 4 5 6	PG 14	ON 1 2 3 4 5 6	PG 22	ON 1 2 3 4 5 6	PG 30
ON 1 2 3 4 5 6	PG 7	ON 1 2 3 4 5 6	PG 15	ON 1 2 3 4 5 6	PG 23	ON 1 2 3 4 5 6	PG 31
ON 1 2 3 4 5 6	PG 8	ON 1 2 3 4 5 6	PG 16	ON 1 2 3 4 5 6	PG 24	ON 1 2 3 4 5 6	PG 32

Table 1: The relay reacts to the PG output state

ON 1 2 3 4 5 6	SC 1	ON 1 2 3 4 5 6	SC 9	ON 1 2 3 4 5 6	AL 1	ON 1 2 3 4 5 6	AL 9
ON 1 2 3 4 5 6	SC 2	ON 1 2 3 4 5 6	SC 10	ON 1 2 3 4 5 6	AL 2	ON 1 2 3 4 5 6	AL 10
ON 1 2 3 4 5 6	SC 3	ON 1 2 3 4 5 6	SC 11	ON 1 2 3 4 5 6	AL 3	ON 1 2 3 4 5 6	AL 11
ON 1 2 3 4 5 6	SC 4	ON 1 2 3 4 5 6	SC 12	ON 1 2 3 4 5 6	AL 4	ON 1 2 3 4 5 6	AL 12
ON 1 2 3 4 5 6	SC 5	ON 1 2 3 4 5 6	SC 13	ON 1 2 3 4 5 6	AL 5	ON 1 2 3 4 5 6	AL 13
ON 1 2 3 4 5 6	SC 6	ON 1 2 3 4 5 6	SC 14	ON 1 2 3 4 5 6	AL 6	ON 1 2 3 4 5 6	AL 14
ON 1 2 3 4 5 6	SC 7	ON 1 2 3 4 5 6	SC 15	ON 1 2 3 4 5 6	AL 7	ON 1 2 3 4 5 6	AL 15
ON 1 2 3 4 5 6	SC 8	SECTION: SET		ON 1 2 3 4 5 6	AL 8	SECTION: ALARM	

Table 2: The relay reacts to arming the chosen section

Table 2: The relay reacts to an alarm in the chosen section

Technical specifications

Power	from control panel digital bus 12 V (9...15 V)
Current consumption in standby mode (relay off / on)	5 mA/25 mA
Current consumption for cable choice	25 mA
Contact rating	
Maximum voltage	50 V AC/60 V DC
Maximum current	max. 2 A
Minimum current	10 mA
Dimensions	78 x 40 x 15 mm,
Classification	Grade II
according to	EN 50131-1, EN 50131-3,
Operational environment according to	EN 50131-1 II. Indoor general
Operating temperature range	-10 °C to +40 °C
Also complies with	EN 50130-4, EN 55022



JABLOTRON ALARMS a.s. hereby declares that the JA-111N is in a compliance with the relevant Union harmonisation legislation: Directives No: 2014/30/EU, 2011/65/EU. The original of the conformity assessment can be found at www.jablotron.com - Section Downloads.

Note: Although this product does not contain any harmful materials we suggest you return the product to the dealer or directly to the producer after use.